

ESCO Ultralok® U60 Adapters Now Available with Wear Cap Option for Excavators



ESCO



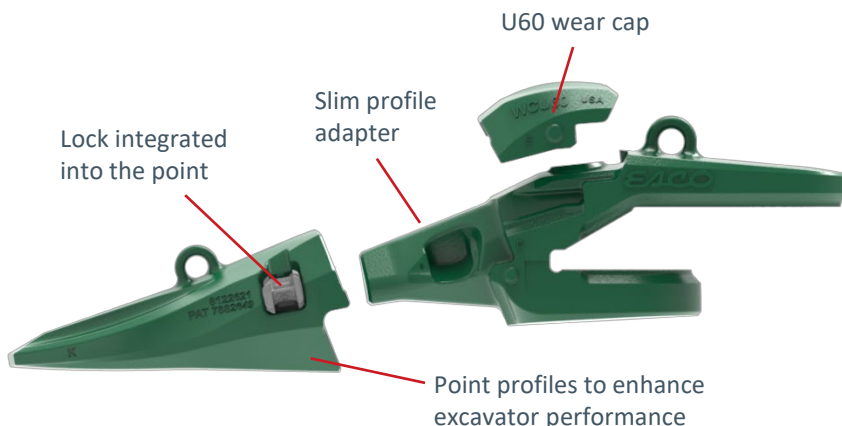
Introducing new slim profile Ultralok assembly

The new ESCO® Ultralok adapter with wear cap provides the most economical solution to combat extreme abrasion for the 60-75 ton class of excavators. Protecting adapters with wear caps results in longer operating life, less maintenance and more time digging.

The slim profile adapter allows for smooth transition from the point to the wear cap, maintaining excavator performance while providing added adapter wear protection. The low-profile wear cap is held in place by the point on a tapered fit surface and includes a pry slot on the back edge for quick and easy replacement. Since the wear cap is mechanically attached, it is cast in a much harder steel than the adapter to provide long-lasting protection.

Ultralok adapter with wear cap

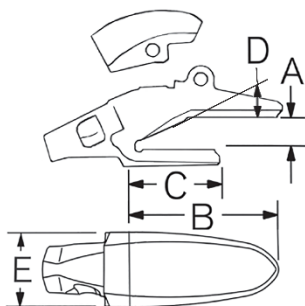
- More efficient digging cycles
- Increased adapter wear life
- Reduced maintenance costs
- Wear cap optimized for less throwaway weight
- Developed to perform in the toughest conditions



Utralok® U60 slim profile adapters with wear caps

U60 Slim Profile Utralok 1-1/2 Top Leg Adapters for Excavators

PMID	LIP THICKNESS A		TOP LEG B		BOTTOM LEG C		RAMP ANGLE D deg	ADAPTER WIDTH E		NOSE ANGLE deg	WEIGHT	
	mm	in	mm	in	mm	in		mm	in		kg	lb
	3858BW-U60	70	2.75	368	14.50	185		7.30	30		187	7.40
5865W-U60	75	3.00	370	14.60	188	7.40	30	187	7.40	10	61	134
5898AW-U60	80	3.15	370	14.60	185	7.30	30	187	7.40	10	60	132
6805AW-U60	90	3.50	400	15.80	215	8.50	30	187	7.40	10	58	127



Smooth point to adapter transition allows for excellent penetration and smooth flow of material



U60 Wear Cap for Slim Profile Utralok Adapters

PMID	HEIGHT		LENGTH		WIDTH		WEIGHT	
	mm	in	mm	in	mm	in	kg	lb
WCU60	94	3.70	179	7.00	190	7.50	7	15

