



**WEIR**

**ESCO®**

Construction Attachments  
Products

## ESCO® is the one proven source

### Optimize and protect your investment


Today's construction operations are under increasing pressure to improve production levels while controlling costs and maintaining the safest working environment possible. As with any major operation, the key to achieving these goals is an optimized equipment system.

This is where ESCO's quality products and application professionals can deliver results that are unmatched in the industries we serve. In addition to offering a complete line of value-added construction attachments, ESCO's dedicated staff of engineers and sales professionals can help ensure your equipment operates efficiently while achieving maximum productivity and profitability.

### ESCO products are trusted by customers worldwide

- Better machine performance and productivity
- Less maintenance and unplanned downtime
- Improved site safety





**ESCO's dedicated staff of engineers and sales professionals can help ensure your equipment operates efficiently while achieving maximum productivity and profitability.**

# ESCO® continues to set the standards for performance and selection of excavator buckets and attachments

## STDP

Standard-duty plate lip bucket



## HDP

Heavy-duty plate lip bucket



## HDP Plus

HDP with T-1 side reinforcing plate



## XDP

Extreme-duty plate lip bucket



## SXDP

Super extreme duty plate lip bucket



### Quality materials and expert manufacturing ensures unmatched durability

Construction customers have a variety of options for sourcing buckets, accessories, and wear parts for their equipment. ESCO is the number one choice for a full selection of value-added solutions with designs and alloys that provide maximum productivity and site safety while reducing unplanned downtime.

ESCO has a full range of premium buckets and attachments for construction operations that increase production and reduce operating costs. No other company can match the strength, safety, and reliability of ESCO's field-proven products.

ESCO Excavator Bucket Models					
STANDARD FEATURES	STDP	HDP	HDP Plus	XDP	SXDP*
Tough T-1 steel plate lip	■	■	■	■	■
Full bottom wear runner	■	■	■	■	■
Strong formed beam for torsion resistance	■	■	■	■	■
Cast shrouds for side wear protection		■	■	■	■
AR 400 full bottom wear runner and side wear strips		■	■	■	■
Tough T-1 side reinforcing plate			■	■	■
Lip and beam gussets to strengthen corners				■	■
APPLICATIONS	STDP	HDP	HDP Plus	XDP	SXDP
Ditch cleaning	■	■	■	■	■
Loam and sand	■	■	■	■	■
Soils containing little rock	■	■	■	■	■
Loosely embedded rock or clay		■	■	■	■
Compacted soils (caliche) or dense hardened clay			■	■	■
Shot rock or tough abrasive material				■	■

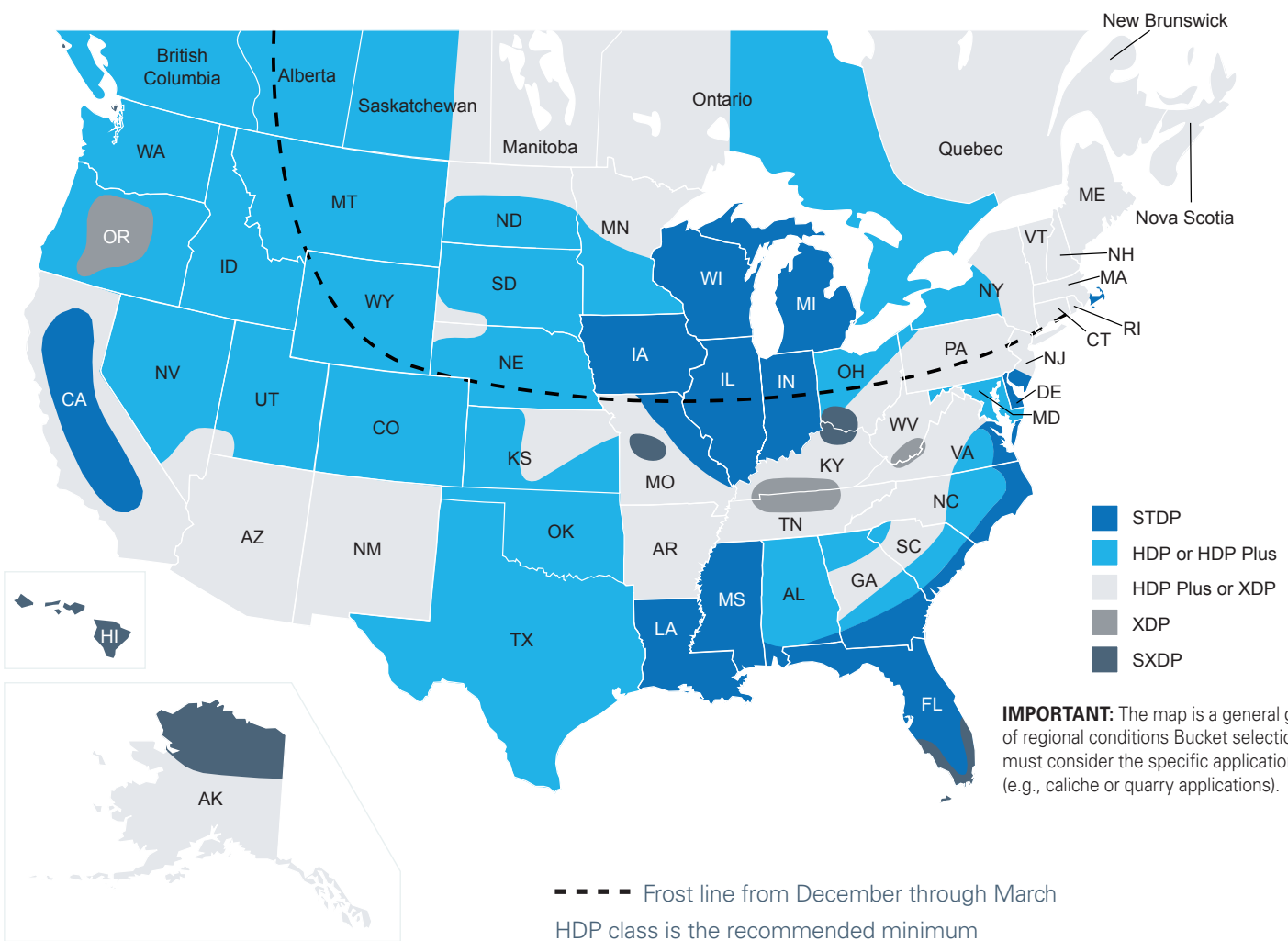
\*SXDP includes full cast wear protection (lip shrouds, corner wear shoes, two shrouds per wing) and chisel points for penetration and extra strength.

ESCO Specialty Excavator Bucket Models		
BUCKET MODEL	STANDARD FEATURES	APPLICATIONS
<b>Integral Pin Bucket</b>		
	Integral pins provide pin-to-point near OEM specs	Compacted soils
	Designed specifically for ESCO PosiGrab® coupler	Dense clay
	Maximum break-out force with a coupler	Loosely embedded rock
	Improved fuel efficiency	
<b>Sifter Bucket</b>		
	AR 400 ribs	Sorting materials on site
	Tough T-1 steel plate lip	Removing debris from fill material
	Cast shrouds for wear protection	
	Lip and beam gussets for stability	
<b>DTCH - Ditch Cleaning Bucket</b>		
	Tough T-1 steel plate lip	Ditch cleaning
	Bottom wear strips	Loam and sand
	Wide and shallow for optimum performance	

# ESCO® excavator buckets: match the bucket model to the digging conditions

## Proper selection safeguards customer satisfaction

Matching the ESCO bucket to the application and job requirements is key to production and durability that meet customer expectations. The map below is a general indicator of the digging conditions found throughout North America. Using this information will help make the optimal bucket choice for performance and lowest cost of ownership.



## PosiGrab® hydraulic quick coupler



### Improved excavator utilization

Developed to increase productivity and optimize site safety, ESCO's PosiGrab coupler is a top choice for construction professionals. Precision manufactured to exacting standards, our coupler is engineered to reduce stress points for improved machine performance. The PosiGrab coupler will pick up attachments within the same machine weight class for increased machine versatility.

The unique design features mechanically engaged locks in both the front and rear of the coupler and remain locked independently through the full working cycle. The natural position is locked and only opens using forced hydraulic pressure. All attachment pick-up and release actions are done without leaving the safety of the cab, including the visual confirmation that the front and rear locking mechanisms are properly engaged.



# ESCO® excavator thumb options

## Variety for any job

ESCO offers a variety of quality thumbs for all popular excavators - hydraulic non-link and link style, and rigid style. Fabricated using premium grade T-1 steel, ESCO thumbs provide excellent performance and durability. All ESCO hydraulic thumbs come with full hardware kits for installation.

### Universal Rigid Style Thumb



#### Standard Features:

- Premium grade T-1 steel used in all critical components
- Three working positions for more versatility
- Integrated design stores in one unit
- Three or four tine options
- Easily adjusted by moving a single pin, reducing downtime

### Hydraulic Non-Link Style Thumb



#### Standard Features:

- Thumb rotation is approximately 120° – dependent on machine
- Premium grade T-1 steel is used in critical components
- Serrated teeth with webbing increases gripping action
- Large diameter pins and bushings give longer wear life
- Heavy-duty stops protect cylinders from damage

### Hydraulic Link Style Thumb



#### Standard Features:

- Includes progressive linkage between the cylinder and thumb
- Increased thumb rotation up to 175° – dependent on machine
- Premium T-1 steel is used in critical components
- Serrated teeth with webbing increases gripping action
- Large diameter pins and bushings give longer wear life
- Heavy-duty stops protect cylinders

## ESCO® is the leader in tooth system technology



### Ultralok® construction tooth system

ESCO is the leader in high-performance tooth systems for the earthmoving industry. ESCO's Ultralok tooth system is a testament to our innovation and comes standard on all ESCO tooth style excavator buckets.

The Ultralok product is a cost-efficient, low profile tooth system that performs in a wide variety of machine applications. The integrated lock makes it a true two-piece system, reducing inventory over traditional three-piece systems. The Ultralok system is hammerless, also providing increased site safety and simplified field replacement.



### Ultralok®

- Up to 30% more wear life from increased wear metal and premium ESCO alloys
- Typically 20% better reliability from increased stabilization and secure locking

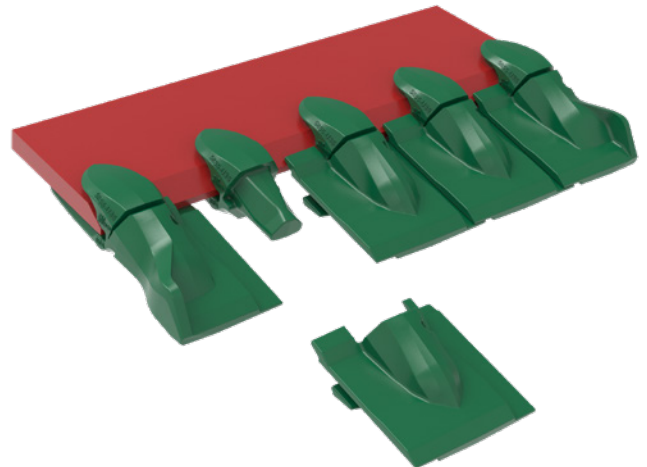


## ESCO maximizes your options to keep your excavator operating how you need it and when you need it

### Ultralok® points for continuous edge applications

Contractors are in a unique position with the wide range of applications and digging conditions they encounter. The ability to quickly adapt equipment to match upcoming job requirements is key to efficiency and lower operating costs. There is often a need for a continuous edge to provide a smooth floor in pipeline, foundation excavation and other similar applications.

ESCO's innovative Ultralok tooth system offers an easy-to-change tooth option that quickly converts construction buckets to a continuous edge configuration. The distinctive integral hammerless lock of the Ultralok system allows the continuous edge points to be installed and removed quickly as conditions demand – saving time, maintenance costs and ensuring the right set-up for the job at hand.



### Ultralok® will-fit excavator lip assemblies

ESCO will-fit excavator lip assemblies feature the superior Ultralok tooth system. Our lips provide an easy option to upgrade existing buckets to ESCO's Ultralok tooth system when replacing worn lips.

The assemblies are designed to simplify lip replacement and can be easily trimmed to a specific bucket width. The corner adapters are tack-welded to allow repositioning to ensure optimum performance.

### Exceptional performance

- User-friendly Ultralok tooth system is standard
- Easily trimmed to fit all popular buckets
- Spot-welded corner adapters are easily repositioned
- Tough A514 steel plate lip is standard
- Available for 12T to 40T class machines



# ESCO® is the leading source for equipment wear protection



## Infinity® bimetallic chrome white iron

Abrasion resistant, bimetallic buttons, bars, blocks and runners are made from 700 Brinell chrome white iron (CWI) on a mild steel backing. Ideal for highly abrasive applications with low to medium impact, the Infinity offering is adaptable to any high wear surface and are easy to install.



## Infinity® chromium carbide overlay plate

Infinity overlay plate is produced from premium chromium carbide applied to a mild steel backing plate. Best suited for applications with extreme abrasion and low to medium impact. It can be cut and formed to fit the desired surface profile and then easily welded into place using the mild steel backing plate.



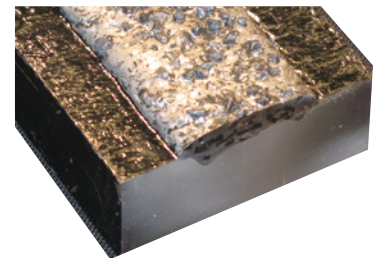
## ESCO abrasion resistant (AR) plate

Manufactured to handle extreme abrasion with optimum resistance to gouging abrasion under severe impact. ESCO abrasion resistant plate is available in AR400 and AR500 grades. Each are fully formable and provide excellent toughness and very good weldability.

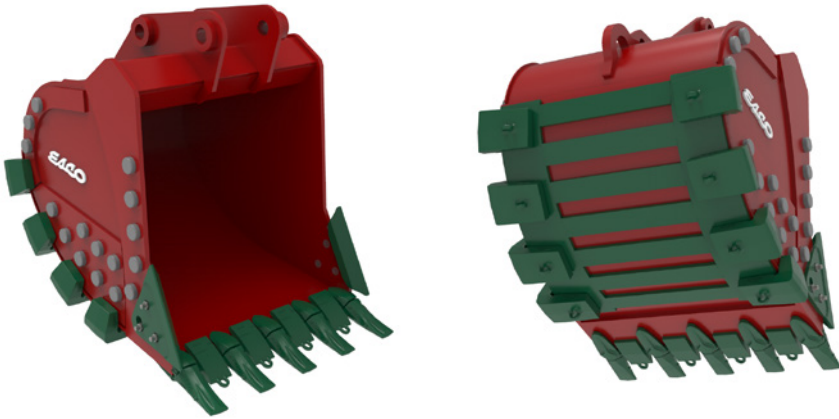


## Infinity® overlay technology

ESCO's Infinity chrome white iron and tungsten carbide overlay materials were specifically developed to extend steel component wear life and improve productivity. Available in four chemistries, E3, E3X, E3CX and E3XP, the overlay material is applied based on the application. The overlay can be used to simply protect surfaces from abrasive wear or applied in a specific pattern that also improves the performance as it wears.



## ESCO superior cast wear parts increase bucket availability, even in extreme abrasion and high stress gouging



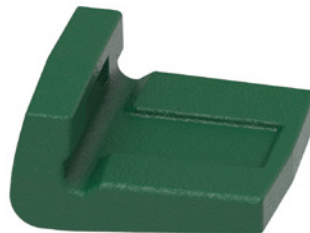
### Kwik-Lok® II wear runners

Cast, heavy-duty wear runners in a variety of profiles, are sized for easy handling and placement where needed most – including high impact locations. Suitable for flat or curved surfaces, the system features a one-piece lock for safer and faster replacement.



### ESCO weld-on corner wear shoes

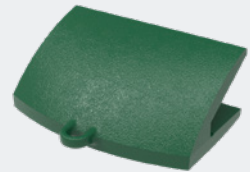
ESCO's cast weld-on wear shoes provide excellent protection for larger excavator, loader, face shovel and LHD buckets. Cast in tough ESCO alloys, it is an effective solution to protect any 90° corner that is exposed to high wear. There are a range of sizes to ensure the optimum protection for your bucket application.



### Lip and wing shroud options

Slim profile cast Toplok® lip and wing shrouds provide quick replacement with an easy-to-use mechanical lock. The system uses a weld-on boss for stabilization and does not require holes in the lip or wings which reduces the chance for cracking.

Bolt-on cast wing shrouds and weld-on cast lip shrouds are also available. The wing shrouds fit all popular wing bolt patterns.



## ESCO rippers improve productivity and reduce maintenance

When excavating in tough, hard-to-penetrate applications, ESCO rippers are an excellent alternative to break up material prior to removal. Ripper attachments and tool box rippers reduce wear and tear on buckets and machines. The result is less maintenance costs and improved machine availability. Top quality materials and manufacturing ensure ESCO rippers get the job done in the toughest conditions.

### Standard ripper attachment

ESCO offers a full line of ripper attachments for excavators from 7 to 75 metric tons. Ripper attachments are the best option when heavy-duty or continuous ripping is needed. ESCO ripper attachments provide a quick high-performance option for excavators equipped with couplers.



### Tool box rippers

Tool box rippers are a top choice when only occasional ripping is required to assist bucket penetration in rock, and frozen or other hard to dig materials. Tool box rippers are also ideal for demolition applications to loosen material and avoid bucket damage. Tool box ripper shanks are easily pinned in place to a permanently mounted base on the back of the bucket.



# The ESCO Track Pro mobile app is an intuitive, user-friendly program to help locate, track and manage your attachments using GPS



## ESCO Track Pro – Manage your attachments inventory

The Track Pro mobile app is the latest smart product from ESCO developed to assist construction, utility and mining operations manage their attachments inventory. The optional Track Pro-B system is a comprehensive tool that can locate assets, provide a detailed history of each, identify available replacement parts and the associated maintenance collateral.

ESCO Track Pro will also significantly reduce the time and expense of inventory management; and will limit the misplacement of high value inventory. The result is improved asset management, lower operating costs and better service to your customers.

## ESCO Track Pro – Hardware options

### Track Pro-B

- Tag gets GPS / cellular location from user's mobile device through a Bluetooth connection
- Line of sight to locate attachment
- Active location when searched
- Range: 50 - 100 yards
- No geofencing capability

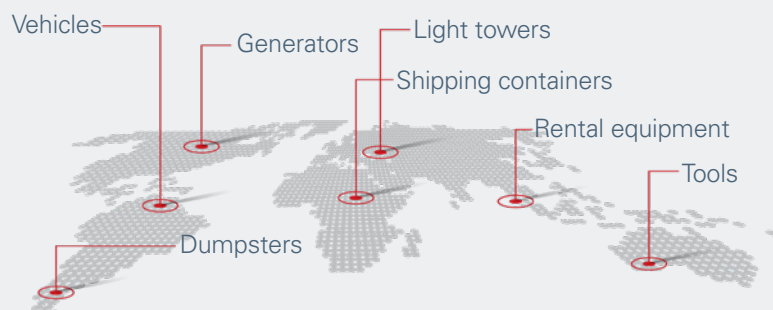
### Track Pro-C

- GPS / cellular location
- Locate attachments remotely
- Location based on last transmit
- Global coverage in areas with cellular signals
- Geofencing and alerts capability

### Track Pro-S

- Active GPS location
- Locate attachments remotely
- Location based on last transmit
- Global coverage
- Geofencing and alerts capability

## Worldwide coverage



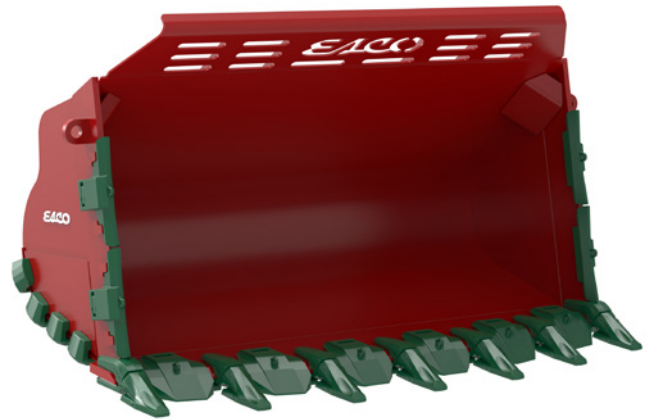
## ESCO attachments for utility and construction class wheel loaders

### Heavy-duty loader buckets

ESCO's heavy duty (HD) line of buckets for wheel loaders are available in 6.5 to 14.0 cubic yard capacities for WL70 to WL100 construction class machines. The robust design delivers unsurpassed durability for maximum machine uptime.

The HD buckets come standard with the market leading Ultralok® tooth system – a slim profile, fully hammerless system to ensure optimum bucket performance. A comprehensive line of point profiles is offered to match the digging conditions.

For applications with increased abrasion and impact, a full range of wear packages are available. The options include full or partial liners kits for inside or outside the bucket, Toplok® wing shrouds, cast corner wear shoes, Infinity® buttons and blocks, bolt-on skid plates, and rock guards.

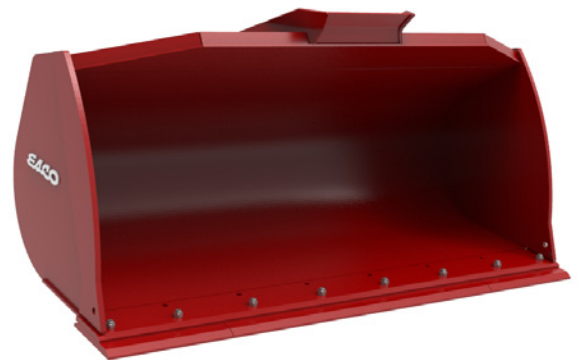


### General purpose loader buckets

ESCO offers a competitive line of general purpose (GP) buckets for wheel loaders – ranging from 2.0 to 9.0 cubic yard capacities for WL20 to WL80 utility class machines.

The buckets feature curved side reinforcement plates to reduce spillage and AR400 wear protection in high wear areas. All ESCO general purpose loader buckets come standard with a spill guard, bolt-on skid shoes, replaceable bolt-on cutting edge, and are available with direct-pin or quick coupler connections.

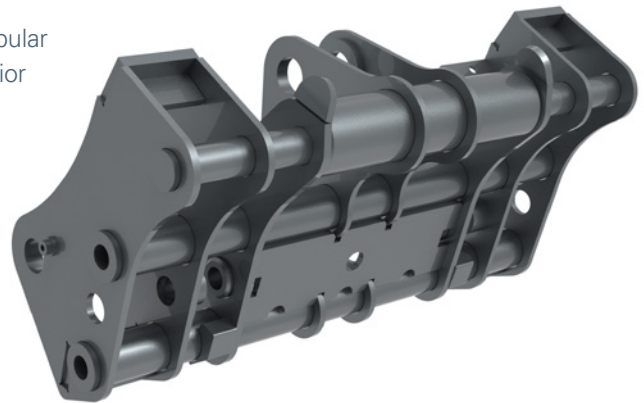
ESCO GP buckets are precision manufactured with premium materials for long, reliable service, reducing maintenance requirements for greater site safety. The bucket was developed to provide more production with lower fuel consumption than conventional loader bucket designs.



### Couplers for utility class wheel loaders

ESCO hydraulic combination couplers are available to fit the most popular utility size wheel loaders – WL20 to WL50 class machines. The superior design matched with quality materials and workmanship offers field-proven performance.

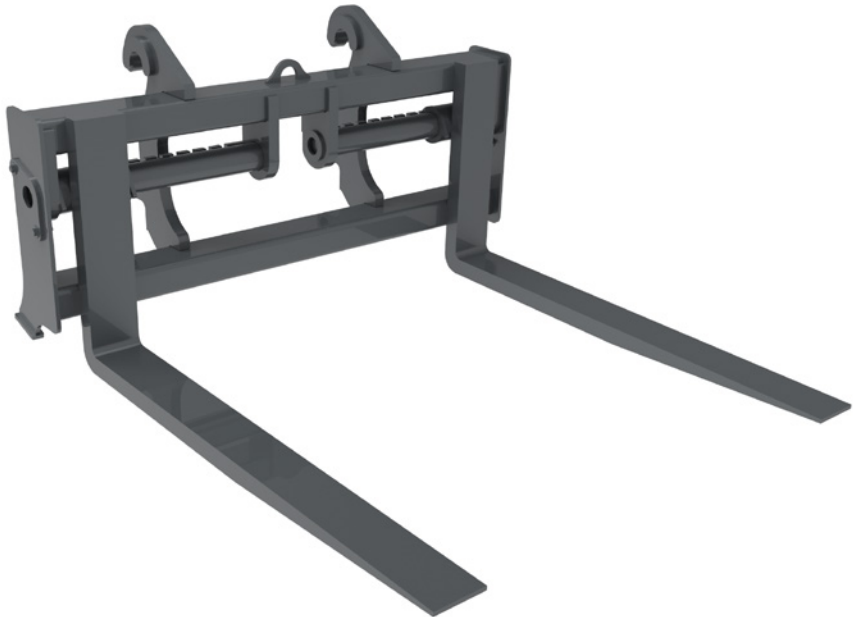
The coupler features a floating, double-acting cylinder for better lock pin alignment. The locking pins allow up to 10° of oscillation for optimal performance. Excellent visibility is provided with the minimal extension from the loader arms.



### Pallet forks for utility class wheel loaders

ESCO's non-hydraulic pallet forks are offered for WL20 to WL50 utility class wheel loaders. Precision manufactured out of premium materials ensures our forks will provide long life and reliable performance. Direct-pin style forks are quoted upon request.

A key benefit of ESCO's pallet forks are a low-profile frame with dual hanger bars for superior visibility. The manual side-shift tines include an individual locking mechanism to maintain the desired position.





**ESCO Group LLC – A Weir Group Division**  
2141 NW 25th Ave,  
Portland, OR 97210  
USA

**[www.esco.weir](http://www.esco.weir)**

P2000ATT-ENG-L1019

Copyright © 2019, ESCO Group LLC. All rights reserved.