

Raiseboring drill pipes

Product catalogue

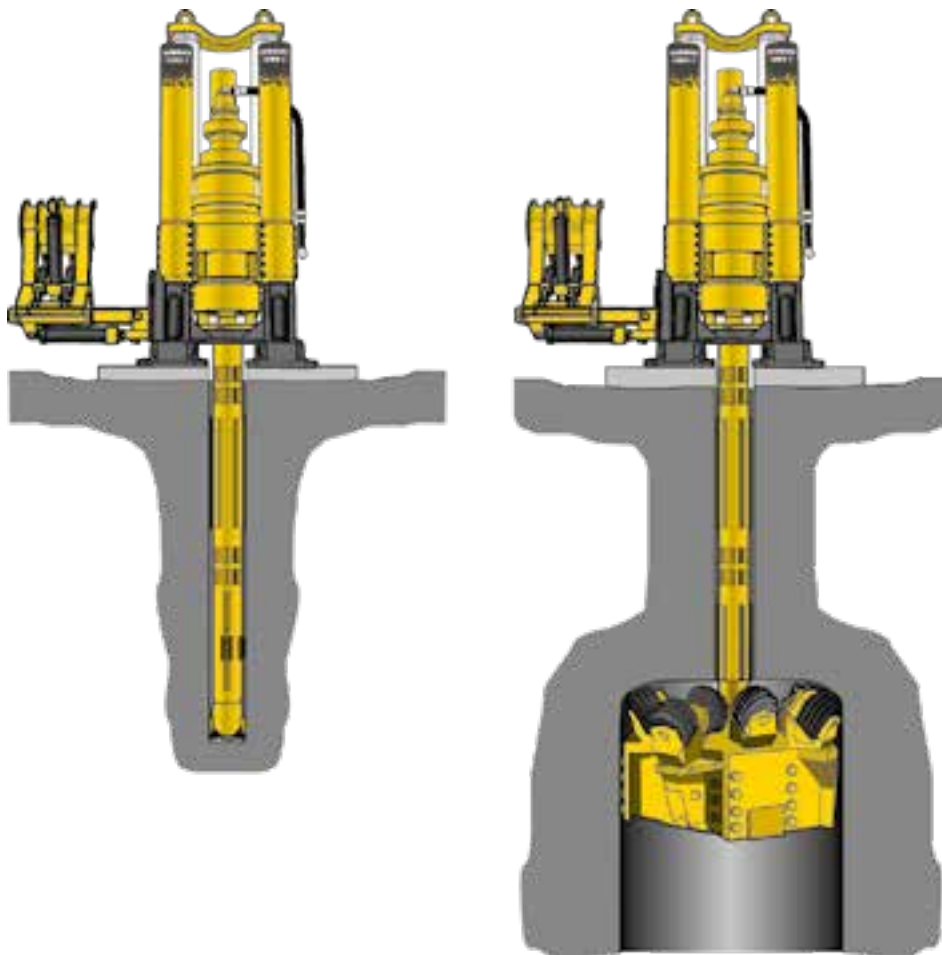


Introducing Raiseboring drill string components

Epiroc has a long history in Raiseboring that finds its roots in the Robbins Raiseboring Company, Ingersoll Rand Raiseboring and BHMT. We have a full product offering from the Raiseboring machine, through the Raiseboring consumables, including the Raisebore drill string.

Epiroc Raiseboring drill string components are designed for each individual Raiseboring machine. Many of these machines are Robbins or IR machines designed and manufactured by Epiroc. Epiroc Raiseboring drill string components are designed for durability and economy.

To complement the design and manufacture of their Raiseboring drill components, Epiroc has worldwide coverage, with service just a phone call away. With Epiroc comes constant product improvements along with the backing of Epiroc and the peace of mind that comes with it.



Content

Raiseboring drill pipes

A complete raiseboring system	4
Features and benefits	5
Reference terms	5
Connection thread types.....	5

Raiseboring drill pipes 6

*Connection for Pin & Box.....	6
--------------------------------	---

Ribbed stabilizers7

Bit reamer stabilizers 8

Starter pipes & subs..... 9

8" nominal size – 8.5" bushing size.....	9
10" nominal size - 9.5" bushing size	9
11-1/4" nominal size - 11" bushing size	9
12-7/8" nominal size / 12.75" bushing size	9
13-1/8" nominal size / 13" bushing size.....	9

Non-rotating stabilizers10

NRS: Complete assemblies.....	10
NRS: Hub & body only.....	10
NRS: Wing sets.....	10

Lifting bails.....10

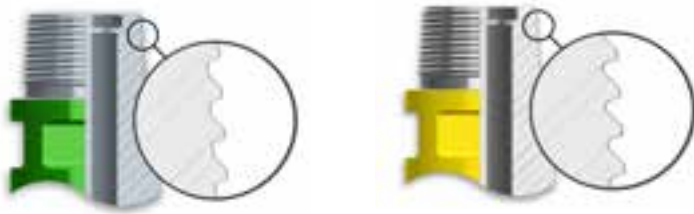
Roller stabilizer repair kits11

Float valves11

Thread protection caps11

Raiseboring drill pipes

Epiroc Raiseboring drill pipes are designed and manufactured for fatigue resistance with the use of a radiused root thread instead of the industry standard flat bottom root thread design.



Difference between the radiused root thread (right) and the standard thread (left).

In addition, the use of shot peening in critical areas also improves the fatigue life of the pipe and other components. The combination of the radiused root thread and the shot peening of critical areas is a step above the industry standard. See the attached table for our standard offering.



Shot peened areas highlighted in red.



Shot peening illustration.

A complete raiseboring system



Features:

Epiroc supplies the entire raiseboring offering
DI22 with radius root thread profile
Shot peening threads and wrench flats
Standard strength & high strength material offering

Benefits:

One stop shop
Improved thread fatigue life
Improved crack resistance
Wide product offering assortment

Reference terms

OD	Outer diameter / Nominal pipe size
PHS	Pilot Hole Size
S/S	Shoulder to Shoulder / Effective length
F/F	Flat to Flat / Wrench measurement
FW	Flat Width
ID	Inside Diameter / Small ID @ Pin end
ID1	Inside Diameter / Small bore – Stepped ID
ID2	Inside Diameter / Large backbore – Stepped ID
GC	Gripper Clearance / Rig fitment
NRS	Non-Rotating Stabilizer
RHS	Reamer Hole Size
SWL	Safe Working Load

Connection thread types

API-Reg	4-1/2", 6-5/8", 7-5/8"
DI-22:	6-3/4", 8-1/4", 9-1/4", 10-1/2"
DI-42:	10-1/8"
DI-315:	10-1/4"

Raiseboring drill pipes

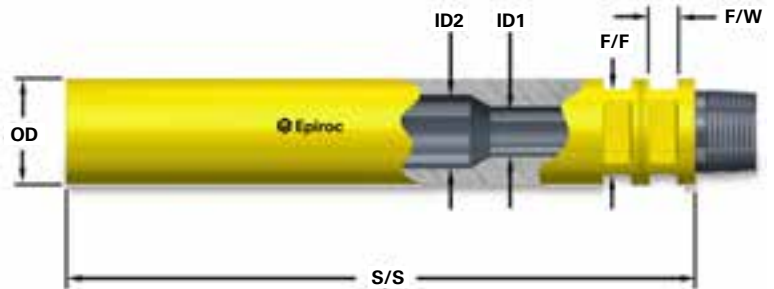
Product No.	Catalog code	OD		S/S		Material strength	Weight kg	Connection* thread	F/F		FW					
		in	mm	in	mm				in	mm	in	mm				
92010650	2R-203-0749-R2AA-BB,01-82	8	203	29-1/2	749	Standard	115	6-3/4 DI-22	7	178	2-3/4	70				
92010634	2R-203-1219-R2AA-BB,01-82			48	1219		169	6-3/4 DI-22								
92010701	2R-203-1524-R2AA-BB,01-82			60	1524		202	6-3/4 DI-22								
92011101	2R-254-0914-RBAB-DB,01-82	10	254	36	914	Standard	254	8-1/4 DI-22 S-Pin	8	203	2-3/4	70				
92010645	2R-254-1219-R4AB-DB,01-82			48	1219	Standard	322	8-1/4 DI-22								
92010910	2R-254-1473-R4AB-DB,01-82			58	1473	Standard	371	8-1/4 DI-22								
92010682	2R-254-1524-R4AB-DB,01-82			60	1524	Standard	388	8-1/4 DI-22								
92010668	2R-254-1524-R4AW-DB,01-15			60	1524	High	388	8-1/4 DI-22								
92010729	2R-286-0749-R7A0-FB,01-82	11-1/4	286	29-1/2	749	Standard	237	9-1/4 DI-22 S-Pin	9	229	3	76				
92010662	2R-286-1524-R6AC-FB,01-82			60	1524	Standard	484	9-1/4 DI-22								
92010674	2R-286-1524-R6AW-FB,01-15			60	1524	High	484	9-1/4 DI-22								
92010968	2R-327-1219-R9AD-HB,01-15	12-7/8	327	48	1219	High	545	10-1/2 DI-22	10	254	3-1/2	89				
92010675	2R-327-1524-R9AD-HB,01-15			60	1524		695	10-1/2 DI-22								
92010830	2R-334-1524-R8BF-HB,01-15	13-1/8	333	60	1524	High	780	10-1/8 DI-42	10	254	3-1/2	89				
92011201	2R-334-1524-R8BF-IB,01-15						780	10-1/8 DI-42					10-1/2	268	4	102
92011447	2R-334-1524-RCCN-KB,01-15						780	10-1/4 DI-315					10-1/2	268	4	102

Other wrench configurations are available upon request.

*Connection thread shown for both Pin & Box unless Short Pin is specified.

*Connection for Pin & Box

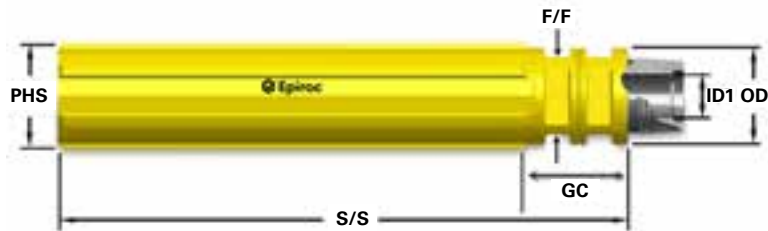
ID1:	4-3/4"	For 8" & 10" drill pipe and 5-7-16" for all larger sizes
ID2:	6"	For 8" drill pipe
	7"	For 11" O.D. drill pipe
	8"	For 11-1/4" O.D. drill pipe
	9"	For all larger sizes listed



Ribbed stabilizers

Product No.	Catalog code	OD		PHS		S/S		Weight kg	Connection* thread	ID		GC		F/F	
		in	mm	in	mm	in	mm			in	mm	in	mm	in	mm
92010654	3R-R2C-R2-0749-B1H-AA,15	8	203	9	229	29.5	749	164	6-3/4 DI-22	3 1/2	89	11	279	7	178
92010639	3R-R2C-R2-1219-B1H-AA,15			9	229	48	1219	274	6-3/4 DI-22			11	279		
92010644	3R-R2C-R2-1219-B1H-AJ,15			9	229	48	1219	267	6-3/4 DI-22			14 1/2	368		
92010860	3R-R2D-R2-1219-B1H-AA,15			9 7/8	251	48	1219	295	6-3/4 DI-22			11	279		
92010658	3R-R4F-R4-1219-D1H-AB,15	10	254	11	279	48	1219	395	8-1/4 DI-22	4 3/4	121	11	279	8	203
92010649	3R-R4F-R4-1219-D1H-AJ,15					48	1219	381	8-1/4 DI-22			14 1/2	368		
92010672	3R-R4F-R4-1524-D1H-AW,15					60	1524	485	8-1/4 DI-22			11	279		
92010661	3R-R7I-R7-0749-F1H-AO,15	11 1/4	286	12 1/4	311	29-1/2	749	286	9-1/4 DI-22 S-Pin	5-7/16	138	10 3/4	273	9	229
92010667	3R-R6I-R6-1524-F1H-AC,15					60	1524	647	9-1/4 DI-22	4 3/4	121	11	279		
92010953	3R-R6N-R6-1524-F1H-CG,15					60	1524	685	9-1/4 DI-22	4 3/4	121	11	279		
92010967	3R-R9J-R9-1219-H1H-AD,15	12 7/8	327	13 3/4	349	48	1219	650	10-1/2 DI-22	5-7/16	138	20	508	10	254
92010680	3R-R9J-R9-1524-H1H-AD,15			13 3/4	349	60	1524	685	10-1/2 DI-22			20	508		
92010833	3R-R9L-R9-1524-H1H-AD,15			15	381	60	1524	750	10-1/2 DI-22			15 1/4	387		
92010862	3R-R8K-R8-1524-I1H-AE,15	13 1/8	333	13 3/4	349	60	1524	700	10-1/8 DI-42	5-7/16	138	15 1/4	387	10 1/2	268
92010863	3R-R8M-R8-1524-I1H-BF,15			15	381			750	10-1/8 DI-42						

See drill pipe chart for additional wrenching detail by referencing the OD size.
 Other wrench configurations are available upon request.
 All the listed rib stabilizers are manufactured using high strength material.
 *Connection thread shown for both Pin & Box unless Short Pin is specified

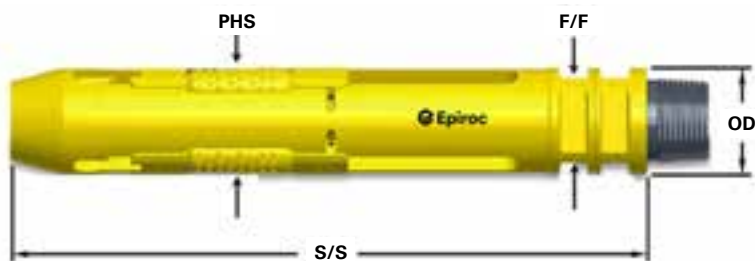


Bit reamer stabilizers

Product No.	Catalog code	OD		PHS		S/S		Weight (kg)	Connection		Float Valve*	F/F	
		in	mm	in	mm	in	mm		Pin	Box		in	mm
92010653	3R-17C-R2-0749-B1A-AA,82	8	203	9	229	29-1/2	749	167	6-3/4 DI-22	4-1/2 API-Reg	4R	7	178
92010643	3R-17C-R2-1016-B1A-AJ,82			9	229	40	1016	222		4-1/2 API-Reg			
92010638	3R-17C-R2-1219-B1A-AA,82			9	229	40	1016	268		4-1/2 API-Reg			
92010825	3R-18D-R2-0940-B1A-AA,82			9-7/8	251	40	1016	250		6-5/8 API-Reg			
92010648	3R-18F-R4-1080-D1A-AJ,82	10	254	11	279	42-1/2	1080	334	8-1/4 DI-22	6-5/8 API-Reg	4R	8	203
92010657	3R-18F-R4-1219-D1A-AJ,82					48	1219	399					
92010671	3R-18F-R4-1524-D1A-AW,82					60	1524	510					
92010666	3R-18I-R6-1321-F1A-AO,82	11-1/4	286	12-1/4	311	52	1321	528	9-1/4 DI-22	6-5/8 API-Reg	4R	9	229
92011143	3R-18I-R6-1524-F1A-AC,82					60	1524	600					
92010679	3R-18J-R9-1219-H1B-AD,82	12-7/8	327	13-3/4	349	48	1219	680	10-1/2 DI-22	6-5/8 API-Reg	5F-6R	10	254
TBA	TBA			15	381			725		7-5/8 API-Reg			
92011254	3R-32M-R8-1219-11B-BF,82	13-1/8	333	15	381	48	1219	750	10-1/8 DI-42	7-5/8 API-Reg	5F-6R	10-1/2	268

See drill pipe chart for additional wrenching detail by referencing the OD size.
Other wrench configurations are available upon request
Part is machined to accept a float valve.

*Float valve sold separately.



Starter pipes & subs

8" nominal size – 8.5" bushing size

Product No.	Catalog code	Type	S/S	Connection		F/F
				Box	Pin	
92010637	3R-17C-R2-0305-B2E-AA,82	Sub	12	4-1/2 API-Reg	6-3/4 DI-22	7
92010736	2R-216-0533-R2AA-BD,02-82	Pipe	21	6-3/4 DI-22		
92010973	3R-17C-R2-0610-B2E-AA,82	Sub	24	4-1/2 API-Reg		
92010652	3R-17C-R2-0749-B1E-AA,82	Sub	29-1/2	4-1/2 API-Reg		
92010651	2R-216-0749-R2AA-BC,01-82	Pipe	29-1/2	6-3/4 DI-22		
92010818	2R-216-0914-R2AA-BC,02-82	Pipe	36	6-3/4 DI-22		
92010642	3R-17C-R2-1016-B10E-AJ,82	Sub	40	4-1/2 API-Reg		
92010641	2R-216-1219-R2AJ-BC,10-82	Pipe	48	6-3/4 DI-22		
92010636	2R-216-1219-R2AA-BC,11-82	Pipe	48	6-3/4 DI-22		



10" nominal size - 9.5" bushing size

Product No.	Catalog code	Type	S/S	Connection		F/F
				Box	Pin	
92010656	3R-18E-R4-0305-D2E-AB,82	Sub	12	6-5/8 API-Reg	8-1/4 DI-22	8
92011145	2R-241-0508-R4AW-DD,02-82	Pipe	20	8-1/4 DI-22		
92010647	3R-18E-R4-1016-D11E-AJ,82	Sub	40	6-5/8 API-Reg		
92010816	3R-18E-R4-1219-D15E-AN,82	Sub	48	6-5/8 API-Reg		
92010646	2R-241-1219-R4AJ-DC,02-82	Pipe	48	8-1/4 DI-22		
92010655	2R-241-1219-R4AB-DC,15-82	Pipe	48	8-1/4 DI-22		
92010670	2R-241-1524-R4AW-DC,01-82	Pipe	60	8-1/4 DI-22		

11-1/4" nominal size - 11" bushing size

Product No.	Catalog code	Type	S/S	Connection		F/F
				Box	Pin	
92010960	3R-18G-R7-0600-F2E-AC,82	Sub	23-5/8	6-5/8 API-Reg	9-1/4 DI-22	9
92010659	2R-279-0749-R7A0-FD,02-82	Pipe	29-1/2	9-1/4 DI-22		
92010673	3R-18G-R6-0927-F2E-AW,82	Sub	36-1/2	6-5/8 API-Reg		
92010665	3R-18G-R6-1219-F16E-A0,82	Sub	48	6-5/8 API-Reg		
92010664	2R-279-1524-R6AJ-FC,12-82	Pipe	60	9-1/4 DI-22		

12-7/8" nominal size / 12.75" bushing size

Product No.	Catalog code	Type	S/S	Connection		F/F
				Box	Pin	
92010815	3R-181-R9-0762-H2E-AD,82	Sub	30	6-5/8 API-Reg	10-1/2 DI-22	10
92010676	2R-324-0762-R9AD-HD,02-82	Pipe	30	10-1/2 DI-22		
92010965	2R-324-1219-R9AD-HC,04-82	Pipe	48	10-1/2 DI-22		
92010678	3R-181-R9-1365-H2E-AD,82	Sub	53-3/4	6-5/8 API-Reg		
92010677	2R-324-1524-R9AD-HC,17-82	Pipe	60	10-1/2 DI-22		

13-1/8" nominal size / 13" bushing size

Product No.	Catalog code	Type	S/S	Connection		F/F
				Box	Pin	
92011548	2R-330-0762-RCCN-KD,02-15	Pipe	30	10-1/4 DI-315	10-1/4 DI-315	10-1/2
92011549	2R-330-1524-RCCN-KC,25-15	Pipe	60	10-1/4 DI-315		
92011550	4R-32J-RC-0762-K2E-CN,15	Sub	30	7-5/8 API-Reg		

Other wrench configurations are available upon request.

Non-rotating stabilizers

NRS: Complete assemblies

Product No.	Catalog code	OD	S/S	Connection*	Weight kg	Material strength	Reamer Hole Size
92011006	3R-R2Q-R2-1219-B18K-CH,82	8	48	6-3/4 DI-22	230	Standard	750 mm
92011194	3R-R4R-R4-1219-D1K-AJ,82	10	48	8-1/4 DI-22	600	Standard	1,0 m.
92011002	3R-R7U-R7-0750-F18K-AO,15	11-1/4	29-1/2	9-1/4 DI-22	631	High	1,5 m.



NRS: Hub & body only

Product No.	Catalog code	OD	S/S	Connection*	Weight kg	Material strength
92011055	9700-1844	8	48	6-3/4 DI-22	277	Standard
92011196	9700-1854	10	48	8-1/4 DI-22	450	Standard
92011058	9700-1846	11-1/4	29-1/2	9-1/4 DI-22	434	High

*Connection for Pin & Box.

NRS: Wing sets

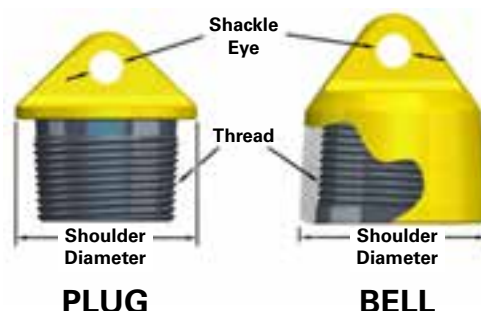
Product No.	Catalog code	Use with these NRS	Reamer Hole Size
92011102	9700-1851	92011055 / 92011006	500 mm
92011056	9700-1845	92011055 / 92011006	750 mm
92011195	9700-1853	92011194 / 92011196	1,0 m.
92011059	9700-1847	92011058 / 92011002	1,5 m.



Other sizes are available upon request.

Lifting bails

Product No.	Catalog code	Type	Weight (kg)*	Thread	Shoulder Diameter	SWL** Tons
92001639	9700-3218	BELL	27	6-5/8 API-Reg	8-1/2	9,5
92001640	9700-3219	BELL	30	7-5/8 API-Reg	9-1/4	9,5
92010757	9700-1806	PLUG	28	6-3/4 DI-22	8	9,5
92010758	9700-1807	BELL	25			
92010761	9700-1810	PLUG	38	8-1/4 DI-22	10	17
92010762	9700-1811	BELL	37			
92010759	9700-1808	PLUG	56	9-1/4 DI-22	11-1/4	25
92010760	9700-1809	BELL	49			
92010812	9700-1812	PLUG	57	10-1/2 DI-22	12-7/8	35
92010813	9700-1813	BELL	77			
92010869	9700-1828	PLUG	65	10-1/8 DI-42	13-1/8	35
92010870	9700-1829	BELL	85			
92011552	9700-1864	PLUG	82	10-1/4 DI-315	13-1/8	35
92011553	9700-1865	BELL	109			



*Weight includes shackle.

**Safe working load.

Roller stabilizer repair kits

Product No.	Catalog code	OD	PHS	Roller system	Use with these Stabilizers
92010873	9700-1830	8	9	3	92010653
92010749	9700-1801	8	9	3	92010638 / 92010643
TBA	TBA	8	9-7/8	3	92010825
92010868	9700-1803	10	11	3	92010648 / 92010657 / 92010671
92010880	9700-1804	10	12-1/4	3	TBA
92010878	9700-1805	11-1/4	12-1/4	3	92010666 / 9201
92011732	9700-1874	12-7/8	13-3/4	6	92010679
92011670	9700-1867	13-1/8	15	6	92011254



Float valves

Product No.	Catalog code	Description
92011082	9700-1849	Float Valve, 4R - Model "F"
92011083	9700-1850	Float Valve, 5F-6R - Model "F"



4R



5F6R

Thread protection caps

Product No.	Type	Protects	Thread	Pipe size
92010879	PLUG	BOX	4-1/2" API-Reg.	N/A
92010854	PLUG	BOX	6-5/8" API-Reg.	N/A
92010855	PLUG	BOX	7-5/8" API-Reg.	N/A
92010845	PLUG	BOX	6-3/4" DI-22	8"
92010844	BELL	PIN		
92010847	PLUG	BOX	8-1/4" DI-22	10"
92010846	BELL	PIN		
92010849	PLUG	BOX	9-1/4" DI-22	11-1/4"
92010848	BELL	PIN		
92010851	PLUG	BOX	10-1/2" DI-22	12-7/8"
92010850	BELL	PIN		
92010853	PLUG	BOX	10-1/8" DI-42	13-1/8"
92010852	BELL	PIN		
43000728	PLUG	BOX	10-1/4" DI-315	13-1/8"
43000729	BELL	PIN		



PLUG Cap



BELL Cap



United in performance. Inspired by innovation.

Performance unites us, innovation inspires us, and commitment drives us to keep moving forward. Count on Epiroc to deliver the solutions you need to succeed today and the technology to lead tomorrow.
epiroc.com



Epiroc Drilling Tools,
A division of Epiroc Canada Inc.
20131 Logan Avenue
Langley, British Columbia V3A 4L5
Canada